



EUROPEAN INSPECTION AND CERTIFICATION COMPANY S.A.

**EU TYPE-EXAMINATION CERTIFICATE FOR SAFETY COMPONENTS
ACCORDING TO EUROPEAN LIFT DIRECTIVE 2014/33/EU ANNEX IV (MODULE B)**

Certificate Number:	SCMB.0146
Certificate Expiry Date:	04/06/2028
Applicant/Certificate Holder (Name & Address):	Zhenjiang Chaoyang Electromechanical Scientific Co., Ltd./ Youfang Town, Yangzhong City, Jiangsu Province, P.R. China.
Manufacturer (Name & Address):	Same as applicant
Date of Submission:	31/05/2018
Test Laboratory (Name & Address):	Shanghai Jiao Tong University Elevator Test Center / No. B of Advanced Manufacture Building, School of Mechanical Engineering, No. 800 Dongchuan Road Shanghai, P.R.China
Date and Number of test report:	16/01/2018 No. ETC18F330011
Approved Type of buffer:	Hydraulic Buffer
Model of buffer:	CYOB-72C/175
Maximum Rated Speed:	1.60 m/sec
Maximum Impact Speed:	1.84 m/sec
Maximum Mass:	3500 kg
Minimum Mass:	600 kg
Drawing Number (attached to this certificate):	CYOB-72C/175
Standard(s):	EN81-50:2014
Reference Standard(s):	EN 81-20:2014

EUROCERT SA, aforementioned notified body with identification number 1128, ascertains and certifies that above safety component satisfy the safety requirements of the European Directive 2014/33/EU.

The manufacturer is authorized to provide the safety component described above with the CE Mark as displayed below:

CE 1128

Preconditions:

It is required that the above safety equipment must always come with a declaration of conformity and the relevant instructions of use.

Athens, 05/06/2018

INSPECTOR

Chad Wang

FOR EUROCERT SA

Konstantinos Psychogios
Construction Products and Laboratories
Manager

Please check the validity of the certificate from our website using the password **t9VW5Tvv**



Inspections

Cert No.: 53

89, CHLOIS STR. & LIKORISEOS, 144 52 METAMORFOSI, ATHENS, GREECE

Tel.: ++30 210 62.52.495, 30 210 62.53.927 - Fax: ++30 210 62.03.018

Internet site: www.eurocert.gr - e-mail: eurocert@ofenet.gr

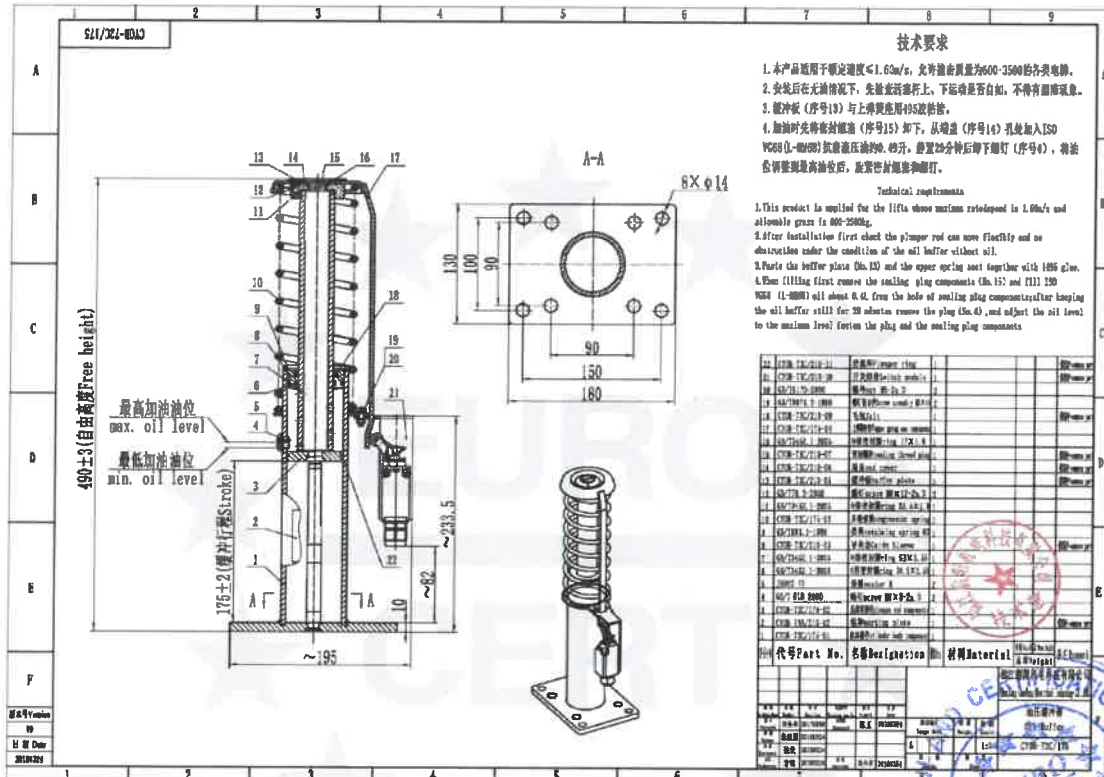




EUROPEAN INSPECTION AND CERTIFICATION COMPANY S.A.

ANNEX A TO CERTIFICATE SCMB.0146

TECHNICAL DRAWINGS



89, CHLOIS STR. & LIKORISEOS, 144 52 METAMORFOSI, ATHENS, GREECE
 Tel.: ++30 210 62.52.495, 30 210 62.53.927 - Fax: ++30 210 62.03.018
 Internet site: www.eurocert.gr - e-mail: eurocert@otenet.gr

